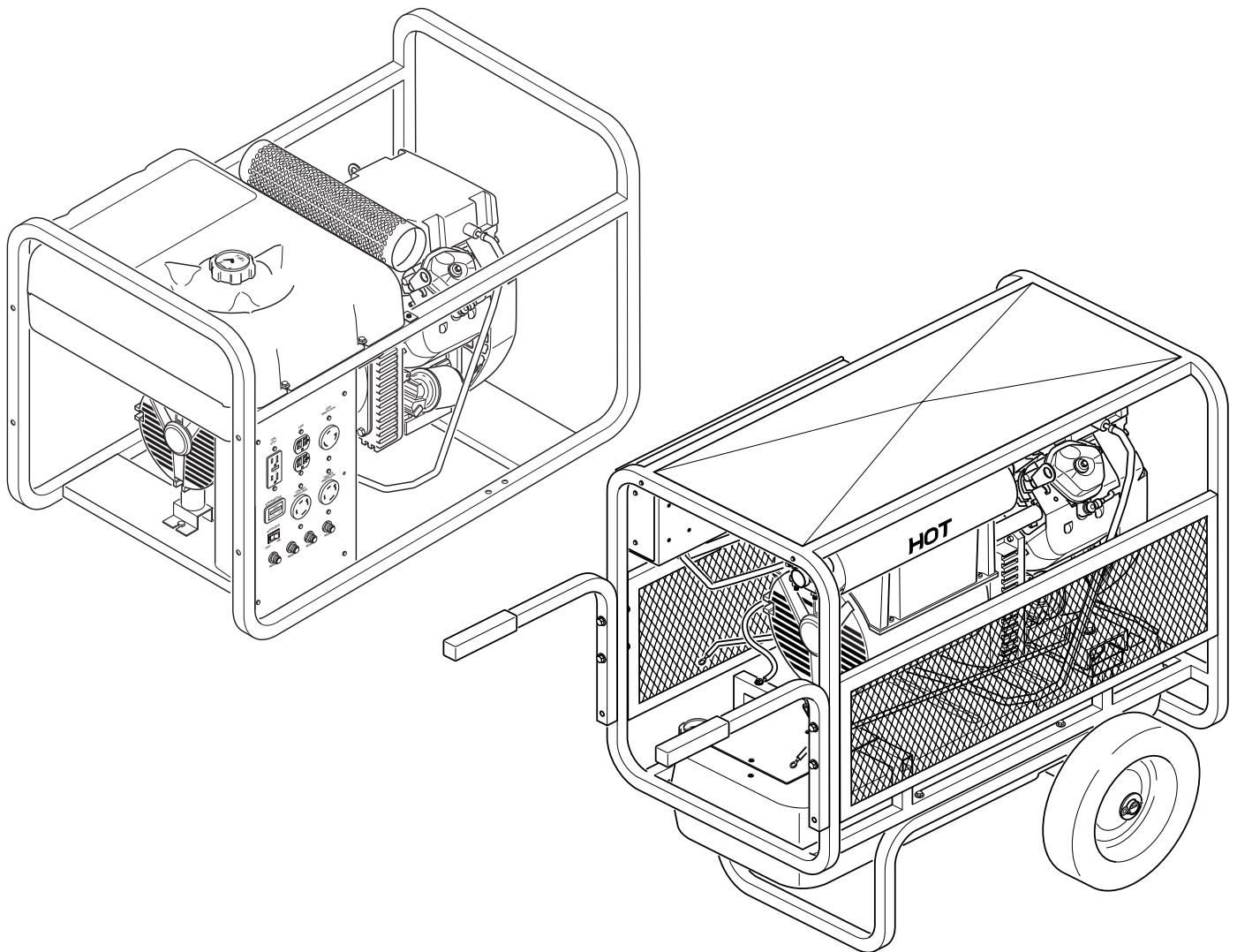


MASTER[®]

PORTABLE GASOLINE GENERATORS

OWNER'S OPERATION AND INSTALLATION MANUAL



Generator Models: MGH8500AIE and MGH1000C

IMPORTANT: Read and understand this manual before operating or servicing generator. Improper use of generator can cause serious injury. Keep this manual for future reference.


MASTER[®]

PORTABLE GASOLINE GENERATORS

SAFETY INFORMATION

WARNINGS

IMPORTANT: Read this owner's manual and the engine owner's manual carefully. Become familiar with this generator before trying to operate or service it. Know its uses, limitations, and any hazards involved. Improper use of generator can cause severe injury or death from explosion, fire, burns, electrical shock, or carbon monoxide poisoning.

 DANGER: Carbon monoxide poisoning may lead to death!

Engine exhaust contains poisonous carbon monoxide gas. Overexposure will cause loss of consciousness and will lead to death. Use only in well-vented areas. Make sure area has plenty of free-moving, fresh, outside air. Never run generator in an enclosed or confined area. Never run generator inside occupied building.

Carbon Monoxide Poisoning: Early signs of carbon monoxide poisoning resemble the flu, with headaches, dizziness, and nausea. If you have these signs, get fresh air at once! Some people are more affected by carbon monoxide than others. These include pregnant women, persons with heart or lung disease or anemia, those under the influence of alcohol, and those at high altitudes. Make certain you read and understand all warnings. Keep this manual for reference. It is your guide to safe and proper operation of this generator.

Safety information appears throughout these instructions. Pay close attention to them. Below are definitions for the safety information listed throughout this manual.

DANGER: indicates a hazard which will cause severe personal injury, death, or substantial property damage if you ignore warning.

WARNING: indicates a hazard which can cause severe personal injury, death, or substantial property damage if you ignore warning.

CAUTION: indicates a hazard which will or can cause minor personal injury or property damage if you ignore warning.

1. Gasoline presents a hazard of fire or explosion. Gasoline is flammable. Its vapor is explosive.
 - Keep fuel out of children's reach.
 - Refuel generator in a well-vented area. Do not fill fuel tank in the dark. Do not refuel while engine is running. Unhook all electrical loads and shut off engine before refueling.
 - Do not overfill fuel tank. Always allow room for fuel to expand. If you overfill tank, fuel can overflow onto hot generator. This can cause fire or explosion. After refueling, tightly close fuel tank cap.
 - Do not spill fuel. Fuel or fuel vapor may ignite. If fuel spills, make sure area is dry before starting engine.
 - Never smoke in refueling area. Never allow open flames or sparks in area.
 - Store fuel in approved container. Store fuel in a well-vented area free of open flames or sparks.
2. Guard against fire hazard. Keep operation area well-vented. Keep generator at least three feet away from any object. Do not place flammable objects near generator.
 - Do not use generator where flammable vapors are present. Some vapors are heavier than air. These vapors settle in low-lying places.
 - Do not use generator in enclosed spaces. This includes motor home or RV generator compartments.
3. Guard against electric shock. Generator produces high voltage. This high voltage can cause severe electric shock. Only responsible adults should use generator.
 - Properly ground generator before starting.
 - Never let anyone operate or service generator without proper instructions.
 - Avoid contact with live terminals or bare wires.
 - Do not use generator outdoors in rain or snow.
 - Do not use generator near standing water or snow.
 - Do not use if generator is wet or damp.
4. Guard against burns. Hot engine parts can cause severe injury. Use caution and remain alert when using generator.
 - Keep children and animals away from generator while it is running or hot.
 - Keep all covers and shields in place. Keep them tightly secured.
 - The muffler becomes very hot during operation. The muffler remains hot for a while after shutdown. Do not touch muffler while it is hot. Do not let muffler touch anything flammable. Let engine cool before transporting or storing.
5. Have standby installation to home or building performed by a licensed electrician. Do not let anyone else wire into a utility circuit. Personal injury, equipment damage, or damage to home could occur.
6. Never connect generator to any existing electrical circuits. The generator output will back-feed into the utility power line. This may electrocute a power company line repair person. Also, if generator is powering electrical circuits, the chance of an electrical fire exists.
7. Battery gives off explosive gases. Keep sparks, flames, and cigarettes away. Do not remove or install battery cables when engine is cranking or running. Only service or use battery in a well-vented area.
8. Battery contains sulfuric acid. Battery acid is poisonous if swallowed. Contact with skin or eyes may cause severe burns. Do not tilt generator with battery installed. Tilting could cause battery acid to spill. Wear protective clothing and face shield when servicing. Keep out of children's reach.

SAFETY INFORMATION

Continued

9. Only a qualified electrical service person should service and repair generator.
 - Generator produces high voltage. Use extreme caution when working on electrical parts.
 - Always remove spark plug wire from spark plug before servicing. This will prevent accidental starting.
 - When working on generator, avoid hot muffler, exhaust manifold, and engine parts. Severe burns may occur.
 - Do not work on generator when tired.
 - Use only factory approved replacement parts.
10. Store generator in a well-vented area. Make sure fuel tank is empty. Never store with fuel in tank. Vapors may reach an open flame or spark. Fire or explosion may result.
11. Never operate generator
 - if engine speed changes greatly
 - if engine misfires often
 - if powered items overheat
 - if electrical output drops
 - if it is sparking
 - if it produces smoke or flames
 - if it vibrates at high levels
 - if it has a damaged receptacle
12. Keep generator and nearby areas clean.
 - Keep generator free of oil, mud, and other foreign matter.
 - Remove anything that creates slippery areas around generator.
 - Remove oily rags and other items that create fire hazards.
 - Keep a fire extinguisher nearby. Make sure it is rated ABC by the NFPA. They are good for all uses. Consult your local fire department.
 - Keep fire extinguisher well maintained. Be familiar with its use.
13. Know how to stop engine quickly. Know how to use all controls.
14. Prolonged exposure to loud noise can cause hearing loss.
 - When working around generator, wear approved hearing protection.
 - Remember neighbors when using generator.

PRODUCT IDENTIFICATION

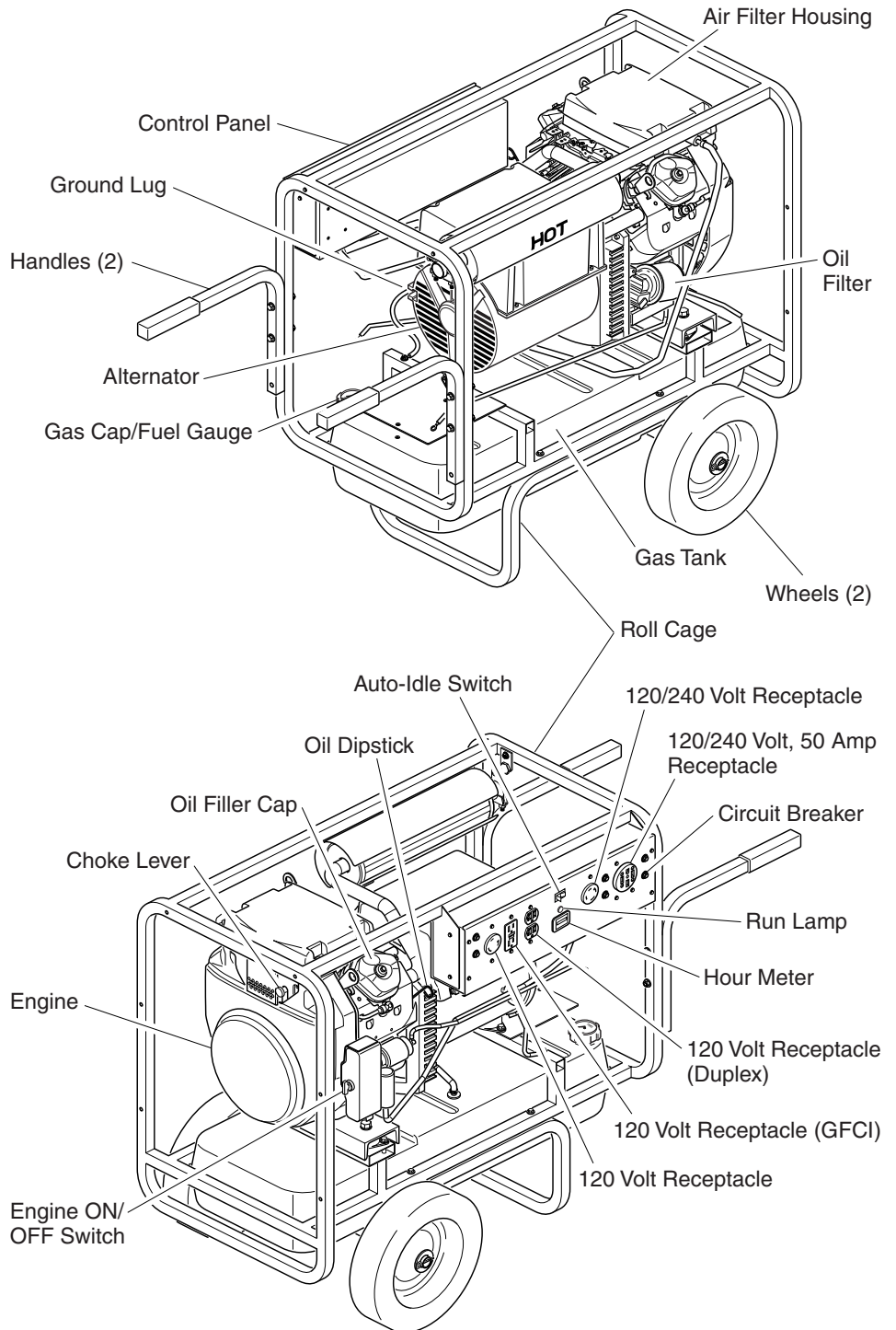


Figure 1 - Portable Generator - Model MGH1000C

MASTER[®]

PORTABLE GASOLINE GENERATORS

PRODUCT IDENTIFICATION (Continued)

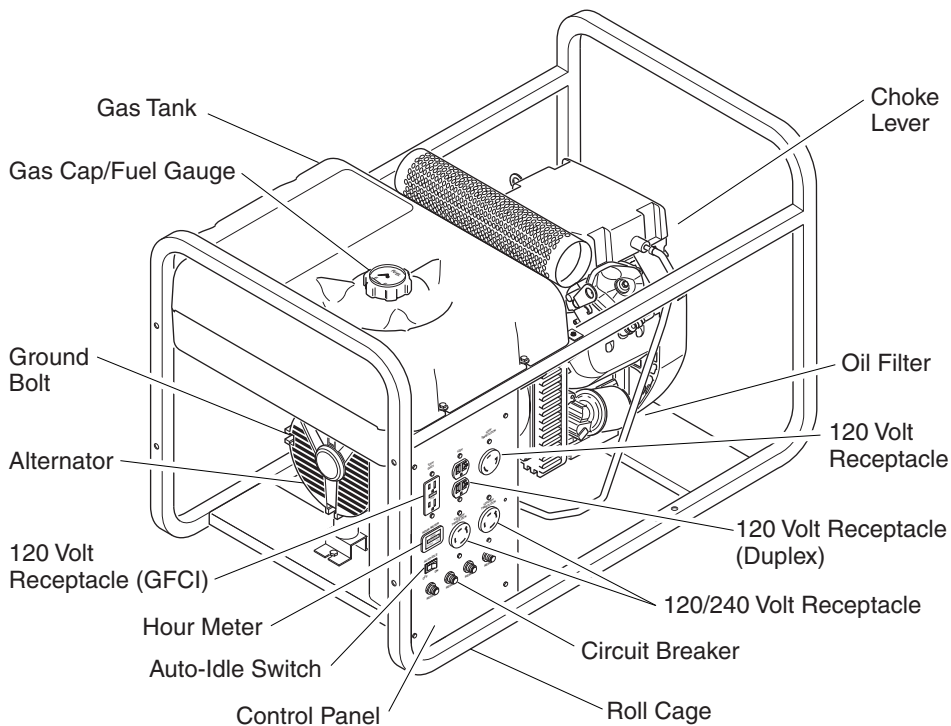


Figure 2 - Portable Generator - Model MGH8500AIE

GENERAL INFORMATION

Master portable generators are rugged and compact. These generators use brushless alternators for dependable, trouble-free service. Honda gasoline engines provide long life under heavy use. Honda engines have overhead valves (OHV). This provides high performance with lower fuel consumption. These engines are governed to maintain engine speed of 3600 RPM under load. 3600 RPM engine speed provides 120/240V, 60 Hz power.

Additional Features

- Circuit breaker protection
- Large fuel tank
- Oil alert system
- Electric starter
- 15-Amp ground fault circuit interrupter (GFCI) receptacle

VENTILATION

⚠ DANGER: Use only in well-vented areas. Make sure area has plenty of free-moving, fresh, outside air. Never run generator in an enclosed or confined area. Never run generator inside occupied building. Engine exhaust contains poisonous carbon monoxide gas. Overexposure will cause loss of consciousness and will lead to death.

This generator needs cooling air to run properly. Never block free-flowing, cooling air to generator. Overheating will occur without cooling air. This will damage the generator. Keep generator at least three feet away from any object.

DUST, DIRT, RAIN, AND SNOW

⚠ WARNING: Do not use generator outdoors in rain or snow. Do not use generator near standing water or snow. Do not use if generator is wet or damp. Operating generator in these conditions increases the risk of electrocution. Severe injury or death can occur.

Do not use generator in extremely dusty or dirty conditions. This will severely affect its life. Keep generator clean. Do not allow dust, dirt, rain, or snow to collect on it. Protect generator from outdoor elements.

HIGH AND LOW TEMPERATURE OPERATION

Air temperature affects generator output. Output drops 1% for each 10° temperature rise above 60° F. Very low temperatures may make the engine hard to start. See engine owner's manual for more information.

OWNER'S MANUAL

SPECIFICATIONS

MODEL	MGH10000C	MGH8500AIE
Electrical		
Rated Wattage	10,000	8500
Rated Amperage		
120 V	83.3	70.8
240 V	41.7	35.4
Receptacle		
120-V, 20-A Duplex	Yes	Yes
120-V, 15-A GFCI	Yes	Yes
120-V Twist-Lock	30 Amp.....	Yes
120/240-V Twist-Lock	30 Amp.....	Yes
120/240-V, 50-A.....	Yes	No
General		
Honda Engine H.P.....	20	20
Honda Model	GX620K1VXE2	GX620K1VXE2
Fuel Type	Gasoline.....	Gasoline
Fuel Tank Capacity	13 gal.	8 gal.
Oil Alert System.....	Yes	Yes
Auto-Idle	Yes	Yes
Hour Meter.....	Yes	Yes
Start Method	Electric.....	Electric
Weight (pounds)	350.....	325

* Single-phase, 1.0 power factor

Note: Ratings apply to SAE standard conditions. Reduce ratings 3 1/2% for each 1000 feet above sea level and 1% for each 10° Fahrenheit rise above 60°F.

GENERATOR FEATURES

OIL ALERT SYSTEM

The oil alert system protects the engine from low oil damage. This system automatically shuts down the engine and prevents engine restarting if the oil level falls too low.

Note: When this happens, the engine switch remains in the ON position. The oil alert system is wired into the ON/OFF Switch.

If this system shuts down the engine, the engine will not start until you add oil. Add oil to engine (see *Engine Oil*, page 7).

Note: Operate generator on a level surface. If not level, the oil may flow away from the oil level sensing device. This will cause the oil alert system to shut down engine.

See engine owner's manual for more information.

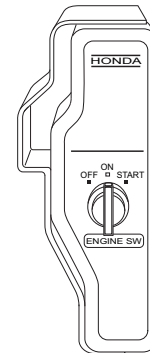


Figure 3 - Engine Switch Location

MASTER[®]

PORTABLE GASOLINE GENERATORS

GENERATOR FEATURES

Continued

AUTO-IDLE SYSTEM

The Auto-Idle System allows the engine to idle down or run at a slower speed when the generator is not being used to supply power. The Auto-idle system can be turned ON or OFF by a rocker switch on the control panel. When the switch is in the OFF position, the engine runs at full speed all of the time. When the switch is in the ON position, the engine slows down to idle speed until an electrical load is applied. When a load is applied to the generator (an electrical item is plugged in and turned on) the engine speeds up to the preset speed required to produce the correct voltage.

IMPORTANT: A minimum current load of 1 Amp is required to disengage the auto idle solenoid and cause the engine to come up to speed for correct voltage. Powering items at reduced engine speed will damage generator and powered items.

ELECTRIC START

A battery is not supplied with generator. You must provide a 12-volt, 32-amp-hour battery. For more battery information, see *Battery*, page 8.

GROUND FAULT CIRCUIT INTERRUPTER RECEPTACLE

The GFCI receptacle is on the control panel. The GFCI protects you against hazardous electrical shock caused when your body becomes a path through which electricity travels to reach ground. This could happen when you touch an appliance or cord that is 'live' through faulty mechanism, damp or worn insulation, etc.

When protected by the GFCI, you may still feel a shock, but the GFCI should cut it off quickly. A person in normal health should not receive serious injury. **Note:** Infants and very small children may still be affected.

Test Procedure

Check the GFCI receptacle every month. This insures it is working right.

1. Push black TEST button. Red RESET button should pop out. This should trip GFCI, resulting in no electrical power at receptacle. Verify this by plugging test lamp with good bulb into receptacle. If lamp does not work, GFCI receptacle is good.

⚠ WARNING: If RESET button does not pop out, do not use the GFCI receptacle. Contact a qualified electrician for repairs.

2. If the GFCI receptacle tests okay, restore power by pushing the RESET button back in. The test lamp should work at this time. **IMPORTANT:** You must press the RESET button firmly and fully. It should lock into place. If the GFCI does not lock into place, do not use receptacle. Contact a qualified electrician for repairs.

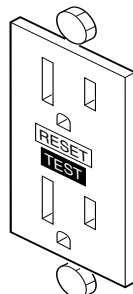


Figure 4 - GFCI Receptacle

ENGINE CIRCUIT BREAKER

This fuse protects the battery charging circuit. A short circuit will trip the break the fuse. The fuse will also break if you install battery wrong. Replace fuse if engine will not start. The fuse is located inside of the keyswitch box.

RECEPTACLE CIRCUIT BREAKER

The circuit breakers protect the receptacles and alternator. Overloading generator will trip circuit breaker. A short circuit in item being powered will also trip breaker. If this occurs, unplug electrical load from receptacle. Let circuit breaker cool down. Push circuit breaker button to reset.

Electric motors need higher starting current. They require up to three-times their rated wattage to start. The starting current needed may be too high. This can cause nuisance circuit breaker tripping. To help prevent this, start electric motors first. Connect additional items to generator after starting motors. If this continues to happen, reduce the total generator load.



Figure 5 - Receptacle Circuit Breaker Button

Note: High ambient temperature will cause nuisance tripping.

OWNER'S MANUAL

ENGINE OIL

We ship the generator without oil in the engine crankcase. You must add oil before starting engine. See engine owner's manual for specific oil type.

CHECKING OIL LEVEL AND ADDING OIL

Follow steps below to check oil level. Make sure engine is level and stopped.

1. Remove dipstick (see Figure 6). Wipe dipstick clean.
2. Insert dipstick into oil filler neck. Oil level should be between the two dots on dipstick.
3. If level is low, fill to top dot on dipstick. Only use oil recommended in engine owner's manual.

Note: If oil level is too low, oil alert system will shutdown engine and prevent engine from restarting.

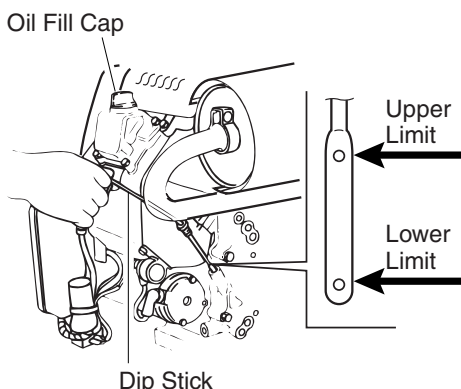


Figure 6 - Checking Oil Level (MGH8500AIE Shown)

FUEL

⚠ WARNING: Gasoline presents a hazard of fire or explosion. Gasoline is flammable. Its vapor is explosive.

- Keep fuel out of children's reach.
- Refuel generator in a well-vented area. Do not fill fuel tank in the dark. Do not refuel while engine is running. Unhook all electrical loads and shut off engine before refueling.
- Do not overfill fuel tank. Always allow room for fuel to expand. If you overfill tank, fuel can overflow onto hot engine. This can cause fire or explosion. After refueling, tightly close fuel tank cap.
- Do not spill fuel. Fuel or fuel vapor may ignite. If fuel spills, make sure area is dry before starting engine.
- Never smoke in refueling area. Never allow open flames or sparks in area.
- Store fuel in approved container. Store fuel in a well-vented area free of open flames or sparks.

Use clean, fresh, unleaded gasoline. Use gasoline with octane rating of 86 or higher. Service station gasoline pumps should display the octane rating. Using gasoline with lower octane level could damage engine. Avoid getting dirt, dust, or water in fuel tank. Do not mix oil with gasoline.

See engine owner's manual for more information.

HANDLES AND TOP COVER

Follow the steps below to attach the handles and top cover to Model MGH10000C:

1. Remove the two bolts, lock nuts, and washers holding side panels to control panel end of roll cage. Insert bolts with washers through two holes in the handle and then back through roll cage and side screen panels (See Figure 7). Tighten the lock nuts against the side screen panels.
2. Place top cover on top of generator roll cage with notch on control panel side. Use four #8 SEMS screws provided to attach cover to roll cage (See Figure 8).

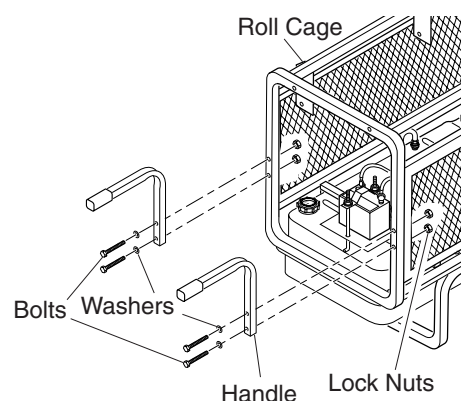


Figure 7 - Attaching Handles to Roll Cage

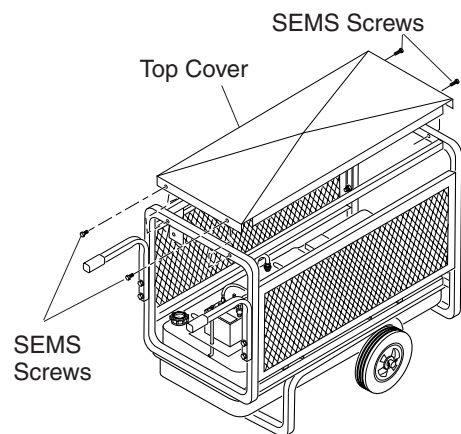


Figure 8 - Attaching Top Cover to Roll Cage

MASTER PORTABLE GASOLINE GENERATORS

BATTERY

⚠ WARNING: Battery gives off explosive gases. Keep sparks, flames, and cigarettes away. Do not remove or install battery cables when engine is cranking or running. Only service or use battery in a well-vented area.

⚠ WARNING: Battery contains sulfuric acid. Contact with skin or eyes may cause severe burns. Do not tilt generator with battery installed. Tilting could cause battery acid to spill. Wear protective clothing and face shield when servicing. Keep out of children's reach.

- If battery acid gets on your skin, wash with water.
- If battery acid gets in your eyes, flush with water at least 15 minutes. Call a doctor at once. Battery acid is poisonous.
- If swallowed, drink large amounts of water or milk. Follow with milk of magnesia or vegetable oil. Call a doctor at once.

⚠ CAUTION: If you remove battery, insulate the red, positive (+) battery cable terminal. Insulate with electrical tape. Exposed terminal may spark when generator runs.

IMPORTANT: Make sure battery connections are the correct polarity. Electric start generators use negative ground, 12-volt DC starting system.

A battery is not supplied with generator. A 12-volt, 32 Amp-Hour minimum, group U1, lug terminal battery is recommended. The positive and negative battery cables are supplied with generator. You must install these cables before mounting battery.

Always wear safety glasses when working with battery. Make sure battery terminals are clean. Make sure cable connections are tight.

Always shut down engine before removing or attaching battery cables. Always remove the negative (-) cable first. Always attach negative (-) cable last.

MOUNTING BATTERY TO GENERATOR

1. Secure battery to generator using battery hold-down system. This system consists of the battery mounting bracket, hook bolts, and nuts (see Figures 9 and 10).
2. Locate the red, positive (+) battery cable from starter solenoid. Connect it to the positive (+) battery terminal (see Figures 11 and 12).
3. Locate the black, negative (-) battery cable attached to engine block. Connect it to the negative (-) battery terminal (see Figures 11 and 12).
4. Check battery before starting engine. Make sure fluid levels are full. Make sure battery is charged.

See engine owner's manual for more information.

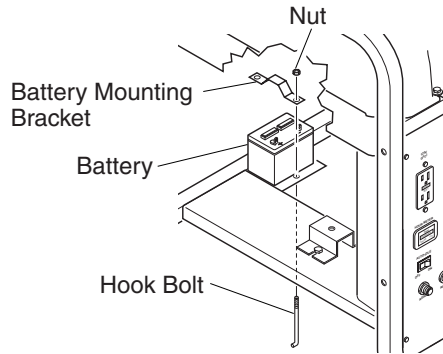


Figure 9 - MGH8500AIE - Battery Hold-Down System (Alternator Removed for Clarity)

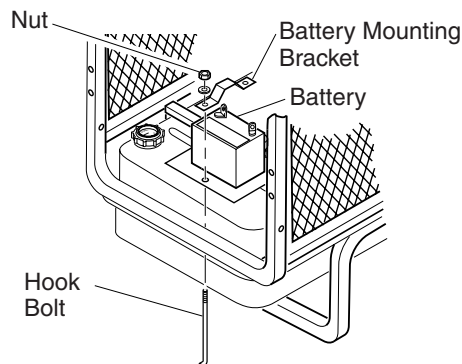


Figure 10 - MGH10000C - Battery Hold-Down System

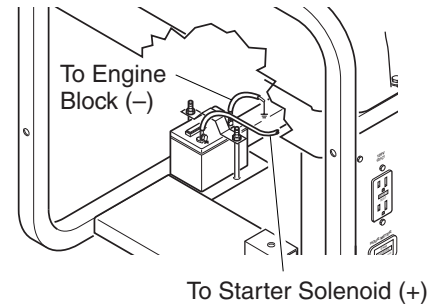


Figure 11 - MGH8500AIE - Connecting Positive and Negative Cables to Battery (Alternator Removed for Clarity)

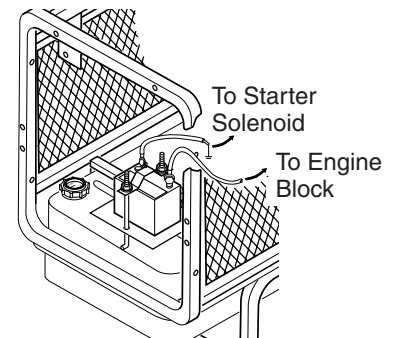


Figure 12 - MGH10000C - Connecting Positive and Negative Cables to Battery

EXTENSION CORDS

Only use grounded extension cords. Be sure to use extension cord with proper wire gauge size. See chart below.

Recommended Minimum Wire Gauges (AWG) for Extension Cords

Ampere Load	AWG for Length of Cord in Feet		
	50'	100'	150'
2	18	18	18
3	18	18	18
4	16	16	16
5	16	16	16
6	16	16	14
8	16	14	12
10	16	14	12
12	14	14	12
14	14	12	10
16	12	12	10
20	10	10	8

OWNER'S MANUAL

GENERATOR GROUNDING

⚠ WARNING: You must properly earth-ground generator before starting. This will help guard against deadly electric shock. Only use grounded plugs with generator. Only use grounded extension cords. Only use three-wire or double-insulated power tools.

Grounding generator helps prevent electric shock from a ground fault condition. Follow these steps to ground your generator:

1. Locate ground lug on generator housing (see Figure 13).
2. Loosen SEMS nut on ground lug. *Note:* Do not remove SEMS nut or set screw from ground lug.
3. Attach a spade connector to #10-8 stranded-copper ground wire. Place spade connector on ground bolt between flat washer and SEMS nut. Tighten SEMS nut (see Detail A, Figure 13).
4. Drive grounding point into ground. *Note:* Grounding point can be a stake, grounding rod, or pipe. Grounding point should be copper or brass.
5. Attach ground wire to grounding point.

You must supply the ground wire and grounding point. These do not come with generator. Follow the National Electrical Code and all state and local codes. Consult your power company or a licensed electrician.

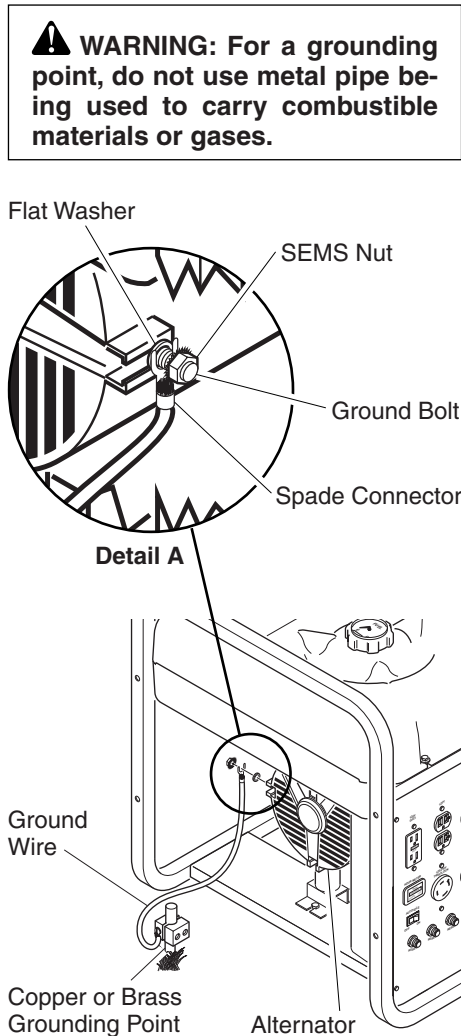


Figure 13 - Grounding Generator (MGH8500AIE Shown)

STANDBY INSTALLATION TO HOME OR BUILDING

⚠ WARNING: Have standby installation performed by a skilled, licensed electrician. Do not let anyone else wire into a utility circuit. Personal injury, equipment damage, or damage to home could occur.

IMPORTANT: This generator will not power your entire home. Most home utility electric service is more than 60 amps. This will exceed generator output. Only power needed items during a power outage. Make sure total wattage of electrical load does not exceed rated wattage of generator.

You may need to use this generator as a standby power source. During a power outage, the generator will power selected items in a building. Have generator and additional wiring installed by a skilled, licensed electrician. This is not a do-it-yourself job. Follow all local codes.

⚠ WARNING: The electrician must install a double-throw transfer switch. This isolates existing electrical circuits from the utility power line. If not isolated, generator output will back-feed into utility power line. This may electrocute a power company line repair person.

MASTER[®]

PORTABLE GASOLINE GENERATORS

DETERMINING ELECTRICAL LOAD FOR GENERATOR

You must decide what electrical load your generator can power. Do this before using generator. Use the following four-step method. It will help you select a load that is not too large. Make sure total wattage of all electrical loads does not exceed rated wattage of generator. For rated wattage of your generator, see *Specifications*, page 5. Electric motors present a special problem when figuring load. Read Step 3 carefully.

1. Make two lists of items you want powered by generator. List all motors and motor powered appliances in one. List all lights, small appliances, etc. in the other. For standby service to home or building, only include items you must power.
2. Enter running watts of each item except motors. The light bulb or appliance nameplate lists its wattage. Remember, 1KW = 1000 watts. *Note:* The nameplate may not list wattage. It may only list volts and amps. The formula for finding wattage is: Volts x Amps = Watts. For example: An appliance nameplate states 3 amps at 120 volts. 3 amps x 120 volts = 360 watts.
3. Electric motors present a special problem. They require up to three-times their rated wattage to start. Chart 2, below, shows starting watts for different size motors. For example: an electric motor nameplate states 5 amps at 120 volts. 5 amps x 120 volts = 600 watts running. Multiply this figure by 3. This will show the starting watts needed. 600 watts x 3 = 1800 watts to start. When figuring the generator load for motors, you must use the starting watts figure. Do not use the running watts figure. *Note:* Some motors require nearly the same wattage to run as to start. These items include saws, drills, hair dryers, and food mixers. See Chart 1 for typical appliance wattage examples.
4. Add watts and starting watts of all items. This total must not be larger than the rated wattage of your generator. It is a good idea to have up to 25% extra capacity for future needs or extra equipment.

Chart 1 - Typical Electric Appliance Wattages

Equipment	Running Watts	Starting Watts	Equipment	Running Watts	Starting Watts
Light bulb (100W)	100	100	1/2" Drill	1000	1250
Radio	150	150	Toaster	1200	1200
Fan	200	600	Coffee maker	1200	1200
Television	400	400	Skillet	1200	1200
Furnace fan (1/3 hp)			14" Chain saw	1200	1500
with blower	600	1800	Water well pump		
Vacuum cleaner	600	750	(1/2 hp)	1000	3000
Sump pump (1/3 hp)	700	2100	Hot plate/range		
Refrigerator/freezer	800	2400	(per burner)	1500	1500
6" Circular saw	800	1000	10" Table saw	2000	6000
Floodlight	1000	1000	Water heater		
			(storage-type)	5000	5000

Chart 2

Motor HP Rating	Approximate Running Watts	Approximate Starting Watts*			
		Universal Motors (small appliance)	Repulsion Induction Motors	Capacitor Motors	Split Phase Motors
1/8	500	625	1100	1500	2250
1/4	700	875	1550	2100	3150
1/3	800	1000	1750	2400	3600
1/2	1100	1375	2400	3300	4950
3/4	1400	1750	3100	4200	x
1	1700	2125	3750	5100	x
1 1/2	2100	2625	4620	6300	x
2	2450	3075	5400	7350	x
3	3600	x	7900	10800	x

* - Always use starting watts, not running watts, when figuring correct electrical load.
 x - Motors of higher horsepower are not generally used.

OWNER'S MANUAL

OPERATION

GENERAL INFORMATION

This generator is not large enough to power your entire home. Do not connect generator to any existing electrical circuits. Plug items directly into generator receptacles. Do not exceed amperage rating of receptacles. Only use grounded cords.

⚠ DANGER: Use only in well-vented areas. Make sure area has plenty of free-moving, fresh, outside air. Never run generator in an enclosed or confined area. Never run generator inside occupied building. Engine exhaust contains poisonous carbon monoxide gas. Overexposure will cause loss of consciousness and will lead to death.

⚠ DANGER: Never connect generator to any existing electrical circuits. The generator output will back-feed into the utility power line. This may electrocute a power company line repair person. Also, if generator is powering electrical circuits, the chance of an electrical fire exists.

Note: We supply the engine owner's manual with generator. Refer to that manual for questions concerning engine operation.

USING RECEPTACLE

Note: Do not exceed amperage rating of receptacles. Exceeding rating will trip receptacle circuit breaker.

Use receptacles properly. Improper use could damage generator. Use only grounded extension cords. Power only grounded or double-insulated items. Do not overload receptacles. The generators have the following receptacles (see Figure 16):

- 120V, 15-amp GFCI duplex receptacle
- 120V, 20-amp duplex receptacle
- 120V, 30-amp twist-lock receptacle
- 120/240V, 20-amp twist-lock receptacle (MGH8500AIE only)
- 120/240V, 30-amp twist-lock receptacle
- 120/240V, 50-amp receptacle (MGH10000C only)

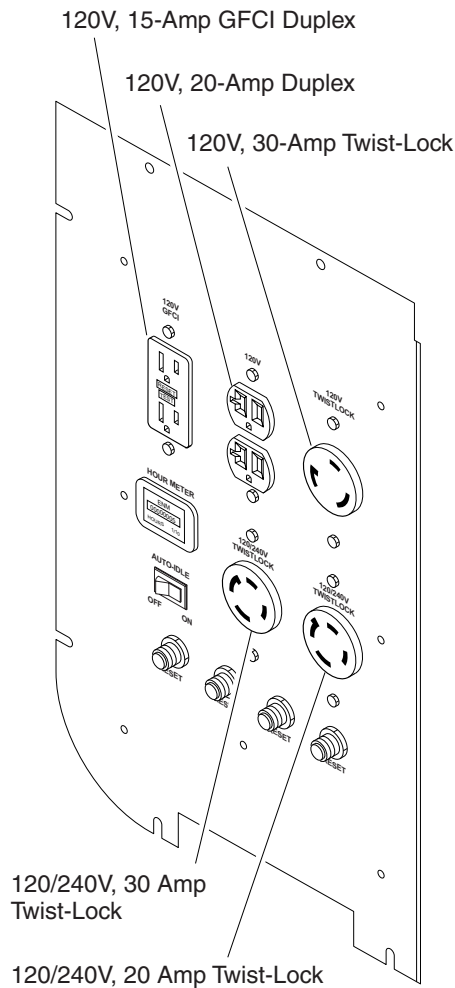


Figure 14 - Receptacle Locations (MGH8500AIE)

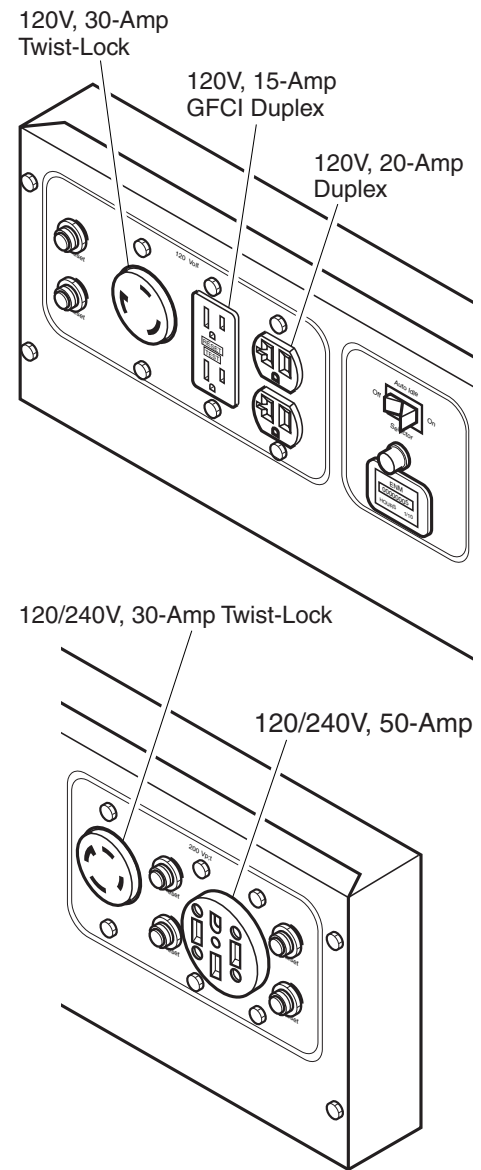


Figure 15 - Receptacle Locations (MGH10000C)

MASTER[®]

PORTABLE GASOLINE GENERATORS

OPERATION

Continued

POWER CORD AND PLUG REQUIREMENTS

120V, 30-amp twist-lock receptacle

- NEMA L5-30P plug
- Three-wire, 30-amp cord

120/240V, 20 or 30-amp twist-lock receptacle

- NEMA L14-20P (20-amp) or L14-30P (30-amp) plug
- Four-wire, 20-amp or 30-amp cord

120/240V, 50-amp receptacle

- NEMA L14-50P
- Four-wire, 50-amp cord

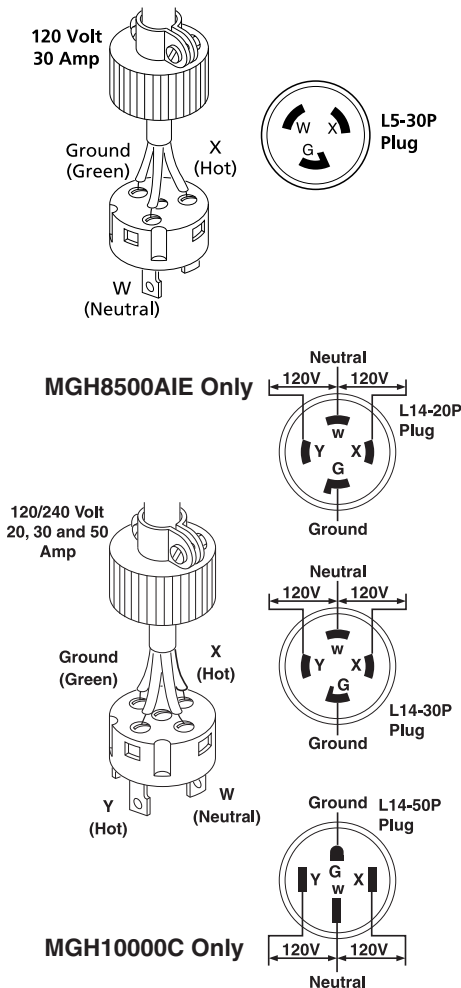


Figure 16 - Cord and Plug Configurations

PRESTART

Operate generator on a firm, dry, and clean surface. The surface must be level. Protect generator from heavy dust, sand, dirt, rain, or snow. Do not locate generator near standing water and snow. Make sure area is well-vented.

⚠ WARNING: Only responsible adults should use generator. Never let anyone operate generator without proper instructions.

Note: If oil level is too low, oil alert system will keep engine from starting (see *Oil Alert System*, page 5). Make sure oil level is full before starting. See *Engine Oil*, page 7.

Before starting the engine, disconnect all electric loads from generator.

STARTING

IMPORTANT: The engine speed is preset. The throttle is locked in preset position. Do not adjust throttle. Preset position lets engine run at 3600 RPM under load. The engine must maintain 3600 RPM for generator to create correct voltage. Running engine at lower speeds will damage generator and powered items.

IMPORTANT: Never start generator with electrical loads connected. Start engine before adding electrical loads.

1. Make sure gasoline tank is full. See *Fuel*, page 7 for fuel information.
2. Pull choke button out (see Figure 17). This closes the choke.

Note: You may not need to close choke if engine is warm or air temperature is high.

3. Start the engine.

Turn the engine switch to the START position (see Figure 18). Hold it there until engine starts. When engine starts, let switch return to the ON position.

IMPORTANT: Do not use electric starter more than five seconds. Starter motor damage may occur. If engine fails to start, release the switch and wait ten seconds. After ten seconds, try starting again.

Note: If engine does not start, check the oil in the crankcase. Add oil as necessary. Be sure engine is on a level surface. See *Oil Alert System*, page 5.

4. As engine warms up, the choke will automatically open.

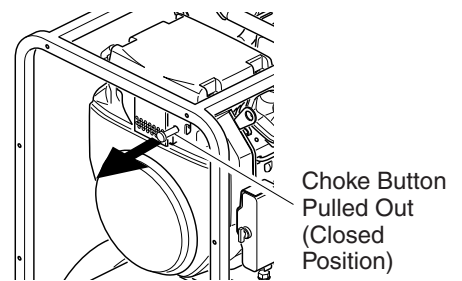


Figure 17 - Choke Button Closed

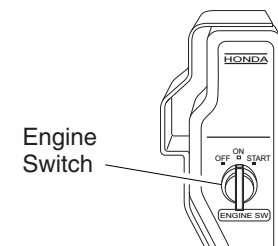


Figure 18 - Engine Switch

MASTER[®]

PORTABLE GASOLINE GENERATORS

OPERATION

Continued

HIGH ALTITUDE OPERATION

This generator will not perform well at high altitudes without proper adjustment. See engine owner's manual for details.

ADDING ELECTRICAL LOADS

IMPORTANT: Do not overload generator. Make sure total wattage of all electrical loads does not exceed rated wattage of generator. Overloading may shorten generator life. It could also cause internal damage to generator. Overloading will trip circuit breaker.

1. Check items to be powered. Their nameplate lists their wattage ratings.

Note: The wattage ratings for some electrical motors are misleading. They may require up to three-times their rated wattage to start. You must figure total electrical load wattage. Make sure total wattage of all electrical loads does not exceed rated wattage of generator. See *Determining Electrical Load For Generator*, page 10.

2. Start engine. Let engine reach full speed.
3. Connect electrical loads one at a time. If the load consists of electric motors, start them first. Always start the largest first. Start each motor individually.

DISCONNECTING ELECTRIC LOADS

Remove electrical loads one at a time. Remove voltage sensitive items first. Voltage sensitive items include TVs, VCRs, and other home electronic items.

STOPPING ENGINE

IMPORTANT: The engine speed is preset. The throttle is locked in preset position. Do not adjust throttle.

Follow the steps below to stop engine.

1. Remove all electrical loads from generator (see *Disconnecting Electrical Loads*). Remove electrical loads one at a time.
2. Let engine run for two or three minutes after removing electrical loads. This lets engine cool slightly.
3. Turn engine switch to the OFF position (see Figure 21).

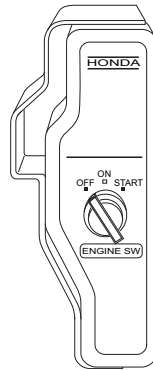


Figure 21 - Engine Switch In OFF Position

MAINTENANCE AND REPAIRS

WARNING: Only a qualified electrical service person should service and repair the alternator on this generator. Use only factory approved replacement parts.

CAUTION: The engine speed is preset. The throttle is locked in preset position. Do not adjust throttle. Preset position lets engine run at 3600 RPM under load. The engine must maintain 3600 RPM for generator to create correct voltage. Running engine at lower speeds will damage generator and powered items.

CAUTION: Shut off generator before performing maintenance.

IMPORTANT: Keep generator level when servicing. Never turn generator upside down or stand it on end to service.

Note: We supply the engine owner's manual with generator. Refer to that manual for questions concerning engine maintenance and repairs.

Non-engine parts require little maintenance. Keep generator clean. Use a damp cloth to clean outside surfaces. Never use water to clean generator. Water can cause damage to internal parts. Use vacuum to clean air inlet and outlet louvers of alternator.

OWNER'S MANUAL

STORAGE

⚠ WARNING: Remove all fuel from fuel tank before storing generator. Store fuel in approved container. Store fuel in a well-vented area free of open flames or sparks.

⚠ WARNING: The muffler becomes very hot during operation. The muffler remains hot for a while after shutdown. Let engine cool before storing.

IMPORTANT: Keep generator level while in storage. Never store generator upside down or standing on end.

Note: We supply the engine owner's manual with generator. Refer to that manual for questions concerning engine storage.

TROUBLESHOOTING

Note: For additional help, visit DESA International's technical service web site at www.desatech.com.

Use a fuel additive, such as STA-BIL® or an equivalent, when storing generator with fuel in fuel tank. This will minimize fuel gum deposits from forming in engine.

Cover and store generator in a clean, dry place. Do not expose generator to extreme high or low temperatures during storage.

SERVICING THE ENGINE

Honda parts and services should be handled by your nearest authorized engine service firm. Check the yellow pages of your telephone directory under the listing:

Engines Gasoline, Honda

or visit:

www.honda-engines.com

or call Honda direct:
1-800-426-7701

TECHNICAL SERVICE

You may have further questions about assembling, operating, or maintaining this product. If so, you can visit our Technical Service web site at www.desatech.com or contact our Technical Service Department at 1-800-858-8501 (English Only). You may also write to:

DESA Specialty Products™
ATTN: Technical Service Specialty Products
P.O. Box 90004
Bowling Green, KY 42102-9004

When contacting DESA Specialty Products™, have ready

- Your Name
- Your Address
- Your Phone Number
- Model Number of Product
- Serial Number
- Date of Purchase (Include copy of receipt for written requests).

⚠ WARNING: Only a qualified electrical service person should service and repair generator. Use only factory approved replacement parts.

Note: See engine owner's manual for engine troubleshooting.

OBSERVED PROBLEM

No voltage when starting generator with no electrical load

POSSIBLE CAUSE

1. Defective capacitor
2. Winding short circuit or loose connections
3. Defective rotor diode
4. Loss of residual magnetism

REMEDY

1. Replace capacitor
2. Check resistance of coils (see *Electrical Component Specifications*, page 16)
3. Replace both diodes on rotor
4. Apply 12-volt battery to capacitor terminals for 2-3 seconds

Voltage is less than normal voltage with no electrical load

1. Engine speed too low
2. Defective rotor diode
3. Partial short circuit in winding
4. Defective capacitor

1. Set engine speed to 3720 RPM (62 Hz) with no load
2. Replace both diodes on rotor
3. Check resistance of coils (see *Electrical Component Specifications*, page 16)
4. Replace capacitor

Voltmeter reading more than 10% high with no electrical load

1. Engine speed too high

1. Set engine speed to 3720 RPM (62 Hz) with no load

Voltmeter reading correct with no electrical load, but more than 10% low when electrical load is added

1. Defective rotor diode
2. Electrical load too high
3. Engine not running properly

1. Replace both diodes on rotor
2. Do not overload generator
3. Contact an authorized engine service center

www.desatech.com

MASTER

PORTABLE GASOLINE GENERATORS

ELECTRICAL COMPONENT SPECIFICATIONS

Model	Resistance in Ohms			Capacitor, MFD 450 Volt	Diodes (2) 800 Volt
	Stator Main Winding *	Stator Auxiliary Winding Δ	Rotor Primary Winding \dagger		
MGH8500AIE	0.41	.098	7.81	45	8 Amp
MGH10000C	0.33	0.71	8.53	60	8 Amp

* Connect T2 (green) and T3 (black). Measure resistance between T1 (red) and T4 (yellow).

Δ Resistance between brown and white leads.

\dagger Remove diodes to check resistance.

WIRING DIAGRAMS

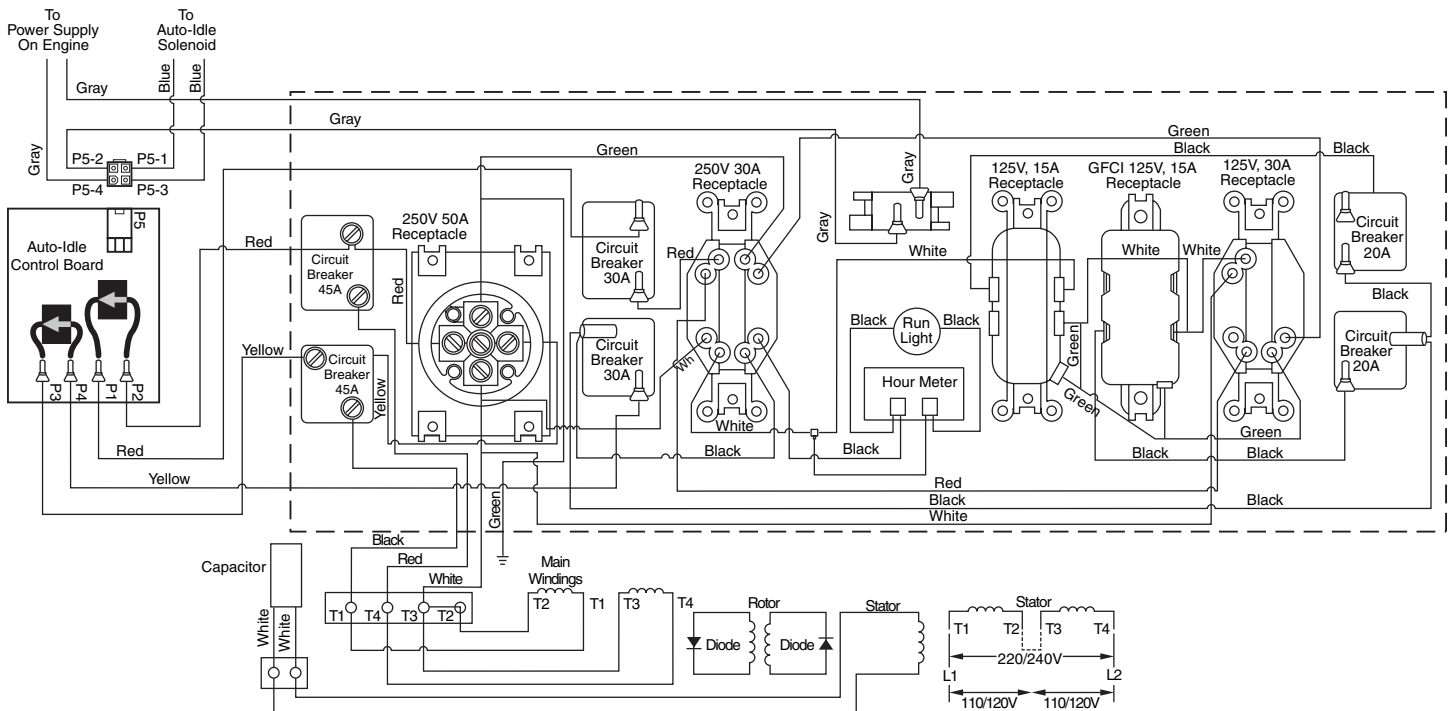


Figure 22 - Wiring Diagram, Model MGH10000C

OWNER'S MANUAL

WIRING DIAGRAMS (Continued)

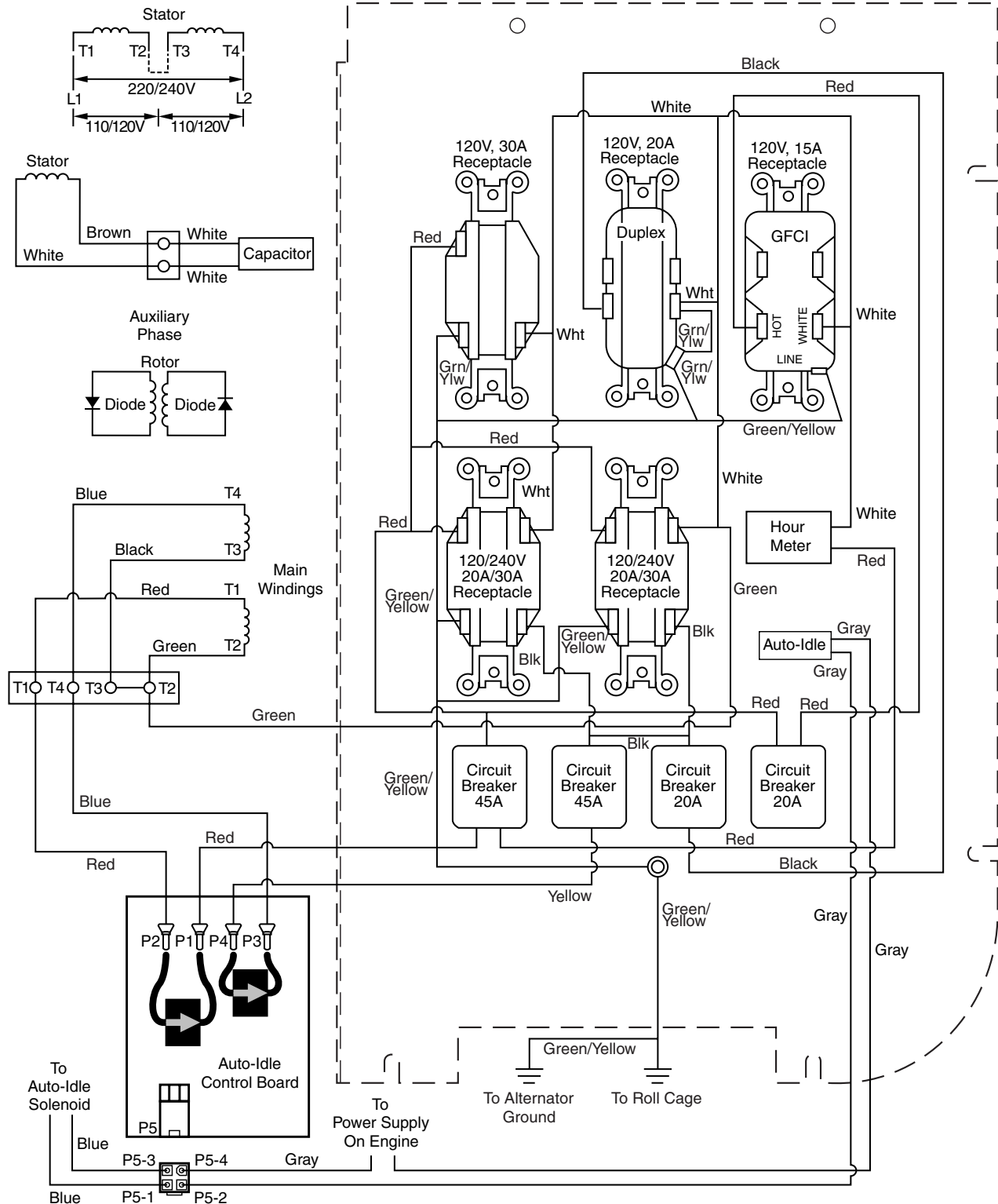


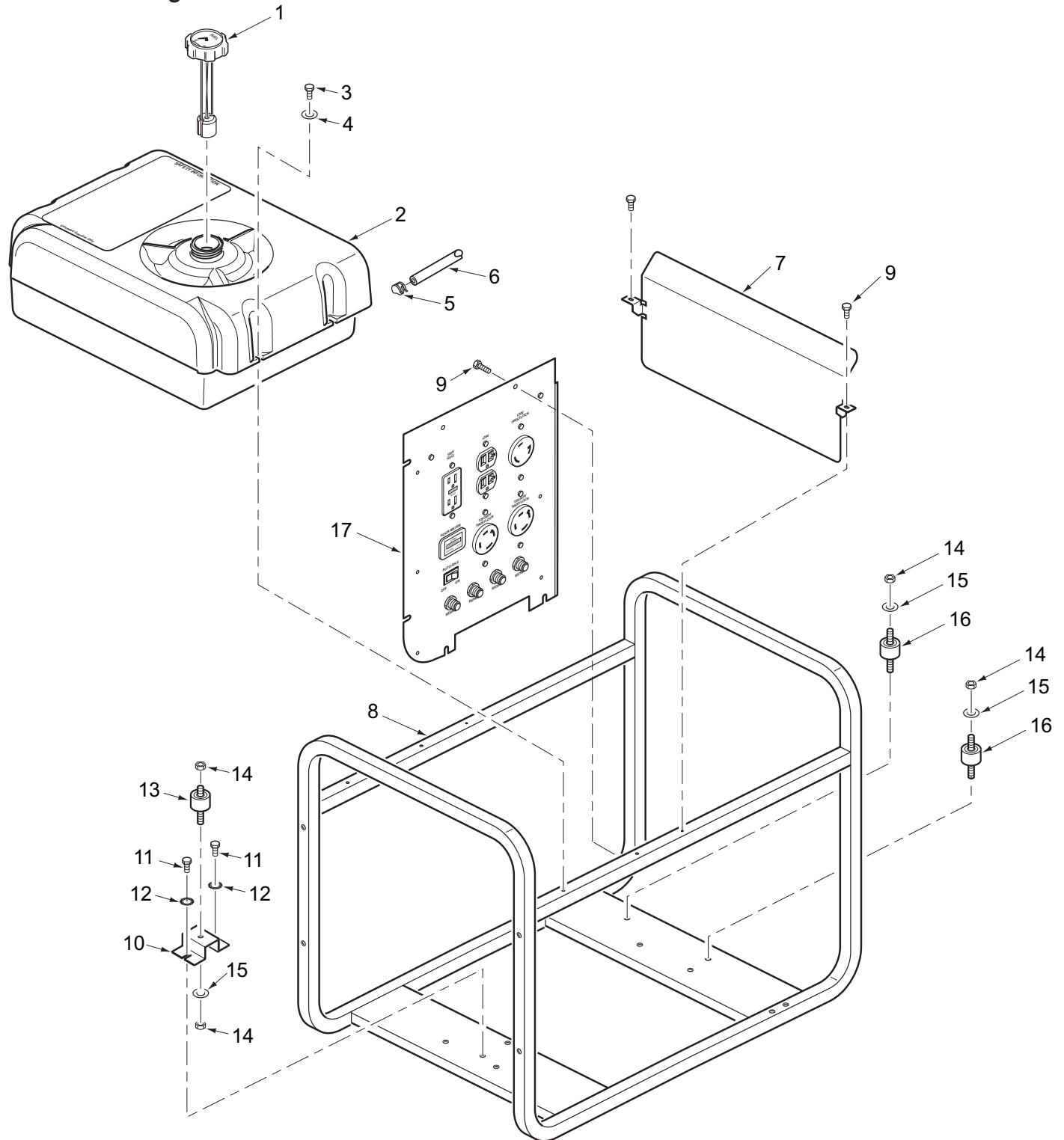
Figure 23 - Wiring Diagram, Model MGH8500AIE

MASTER[®]

PORTABLE GASOLINE GENERATORS

ILLUSTRATED PARTS LIST

For Model MGH8500AIE Fuel
Tank and Roll Cage



OWNER'S MANUAL

ILLUSTRATED PARTS LIST

For Model MGH8500AIE Fuel Tank and Roll Cage

This list contains replaceable parts used in your generator. When ordering parts, follow the instructions listed under *Replacement Parts* on page 25 of this manual.

KEY NO.	PART NUMBER	DESCRIPTION	QTY.
1	25954002	Gas Cap/Fuel Gage	1
2	114720-01	Gas Tank (with 90° fitting)	1
3	114787-01	Screw, 1/4"-28 x 3/4"	4
4	WP-4C	Washer, 1/4"	4
5	19508001	Gas Line Clamp	2
6	25985008	Fuel Line	1
7	114714-03	Heat Shield	1
8	115398-01	Roll Cage	1
9	M10908-27	Screw #10-32 x 1/2"	8
10	116169-01	Spacer	1
11	*	Bolt, 5/16"-18 x 1/2"	2
12	WLE-5	Lock Washer, 5/16"	2
13	103289-01	Shock Mount	1
14	NEC-5C	Lock Nut, 5/16"-18	4
15	WP-5C	Flat Washer, 5/16"	3
16	103289-02	Shock Mounts	2
17	114721-04	Control Panel Assembly	1
PARTS AVAILABLE - NOT SHOWN			
	100003-07	Operation Decal	1
	099873-07	Battery Cable (Positive, Red)	1
	099873-02	Battery Cable (Negative, Black)	1
	*	5/16"-18 x 1/2" Grounding Bolt	1
	*	5/16" Flat Washer	1
	*	5/16" SEMS Nut	1

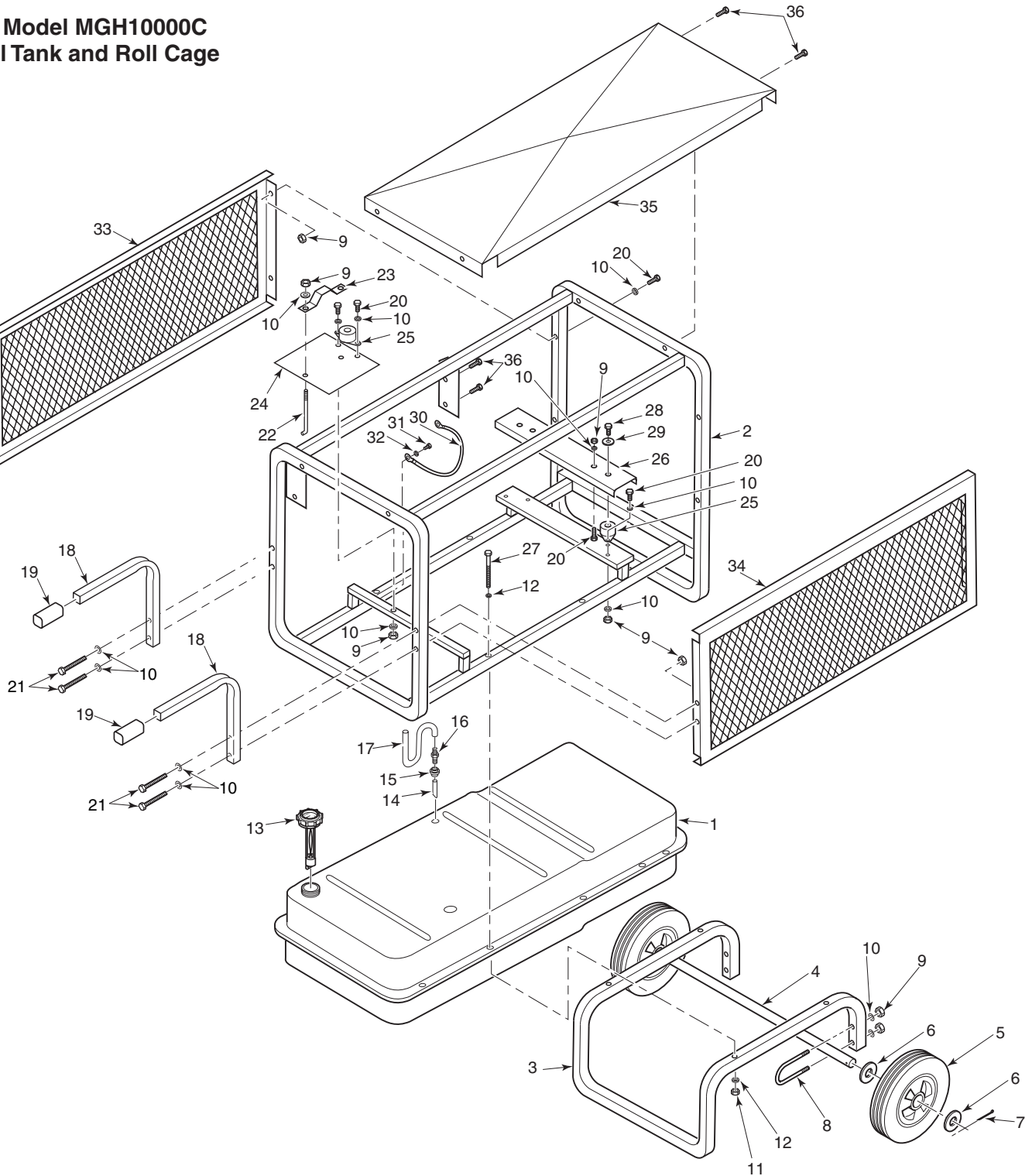
* Available at any hardware store.

MASTER

PORTABLE GASOLINE GENERATORS

ILLUSTRATED PARTS LIST

For Model MGH1000C
Fuel Tank and Roll Cage



OWNER'S MANUAL

ILLUSTRATED PARTS LIST

For Model MGH10000C Fuel Tank and Roll Cage

This list contains replaceable parts used in your generator. When ordering parts, follow the instructions listed under *Replacement Parts* on page 25 of this manual.

KEY NO.	PART NUMBER	DESCRIPTION	QTY.
1	079503-25AA	Gas Tank Assembly	1
2	105905-02	Roll Cage	1
3	105906-01	Axle Mount	1
4	102933-03	Axle	1
5	102932-02	Wheels, Pneumatic	2
6	WP-16C	Flat Washer, 1"	4
7	C4-12C	Cotter Pin	2
8	100135-01	U-Bolt	2
9	NEC-5C	Lock Nut, 5/16-18	22
10	WP-5C	Flat Washer, 5/16"	30
11	103880-01	Lock Nut, 1/4-20	4
12	WP-4C	Flat Washer, 1/4"	8
13	097190-06	Gas Cap w/Fuel Gage	1
14	M51151-02	Fuel Line	1
15	M10990-3	Bushing	1
16	106988-01	Barbed Connector, 1/4"	1
17	25985008	Fuel Line	1
18	105035-01	Handle	2
19	115045-01	Grip	2
20	HC5-14C	Bolt, 5/16-18 x 1.75"	12
21	H8C5-20C	Bolt, 5/16-18 x 2.5"	4
22	099750-01	Bolt, J-Hook 5/16-18	2
23	099749-01	Battery Bracket	1
24	105908-01	Battery Mount	1
25	17529000	Shock Mount	3
26	102962-02	Spreader	1
27	H5C4-24C	Bolt, 1/4-20 x 3"	4
28	26302006	Bolt, 1/2-10 x 1"	2
29	WLI-8	Internal Tooth Lockwasher	2
30	14138000	Ground Strap	1
31	M10908-74	Tapping Screw, 1/4-20 x .5"	1
32	WLE-5	External Tooth Lockwasher	1
33	106775-02	Side Panel	1
34	106775-01	Side Panel	1
35	106776-01	Top Cover	1
36	100410-01	Sems Screw, 8-18	8
PARTS AVAILABLE - NOT SHOWN			
	099866-05	Safety Information Decal	1
	100003-04	Operation Decal	1
	099873-01	Battery Cable (Positive, Red)	1
	099873-05	Battery Cable (Negative, Black)	1
	HC4-6C	Screw, 1/4-20 x .75"	2
	115399-01	Muffler	1
	106108-01	Muffler Hanger	1

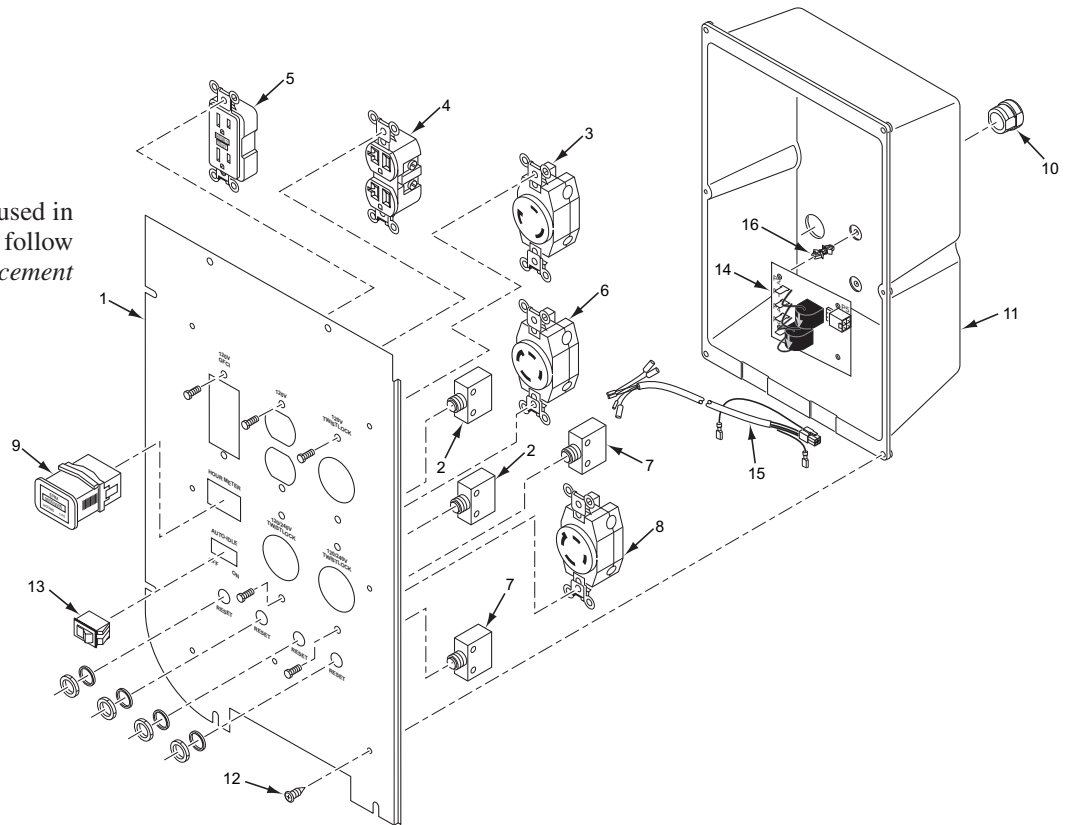
MASTER[®]

PORTABLE GASOLINE GENERATORS

ILLUSTRATED PARTS LIST

For Model MGH8500AIE Control Panel

This list contains replaceable parts used in your generator. When ordering parts, follow the instructions listed under *Replacement Parts* on page 25 of this manual.



KEY NO.	PART NUMBER	DESCRIPTION	QTY.
1	114738-03	Control Panel	1
2	22616009	Circuit Breaker, 20 Amp *	2
3	099833-01	120V, 30A Twist-Lock Receptacle *	1
4	104202-01	120V, 20A Duplex Receptacle *	1
5	100445-01	120V, 15A Duplex (GFCI) Receptacle *	1
6	099835-01	120/240V, 30A Twist-Lock Receptacle *	1
7	103184-01	Circuit Breaker, 45 Amp *	2
8	099834-01	120/240V, 20A Twist-Lock Receptacle *	1
9	101350-01	Hour Meter	1
10	099760-02	Bushing	1
11	114722-01	Enclosure	1
12	116475-01	Plastite Pan Head Screw	6
13	100366-01	Rocker Switch	1
14	116549-01	Auto-Idle Control Board	1
15	116678-01	Auto-Idle Wiring Harness	1
16	114785-01	Locking Circuit Board Supports	4
†	114721-04	Control Panel Assembly	1
‡	114963-03	Panel Schematic Decal	1

* Includes fastening hardware

‡ Not shown

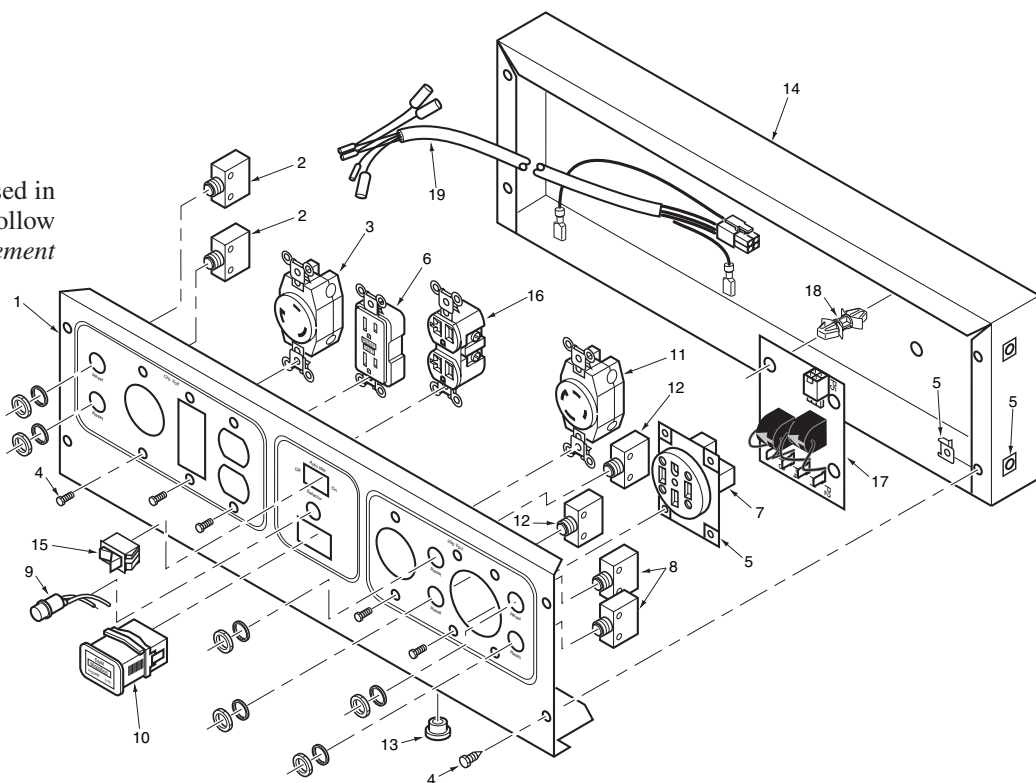
† Includes reference numbers 1 through 14

OWNER'S MANUAL

ILLUSTRATED PARTS LIST

For Model MGH10000C Control Panel

This list contains replaceable parts used in your generator. When ordering parts, follow the instructions listed under *Replacement Parts* on page 25 of this manual.



KEY NO.	PART NUMBER	DESCRIPTION	QTY.
1	103182-01	Control Panel	1
2	22616009	Circuit Breaker, 20 Amp	2
3	099833-01	120V, 30A Twist-Lock Receptacle	1
4	100410-01	Sems Screw, #8-18 x 1/2"	16
5	22261000	U-Nut	20
6	100445-01	20V, 15A Duplex (GFCI) Receptacle	1
7	103183-01	125/250V, 50A Receptacle	1
8	103184-01	Circuit Breaker, 45 Amp	2
9	26299000	Run Light	1
10	101350-01	Hour Meter	1
11	099835-01	120/240V, 30A Twist-Lock Receptacle	1
12	22616010	Circuit Breaker, 30 Amp	2
13	099760-01	Bushing	1
14	103185-01	Control Box	1
15	100366-01	Rocker Switch	1
16	104202-01	120V, 20A Duplex Receptacle	1
17	116549-01	Auto-Idle Control Board	1
18	114785-01	Locking Circuit Board Supports	4
19	116678-01	Auto-Idle Wiring Harness	1
†	102927-02	Control Panel Assembly	1
‡	100177-08	Panel Schematic Diagram	1

† Includes reference numbers 1 through 16

‡ Not shown

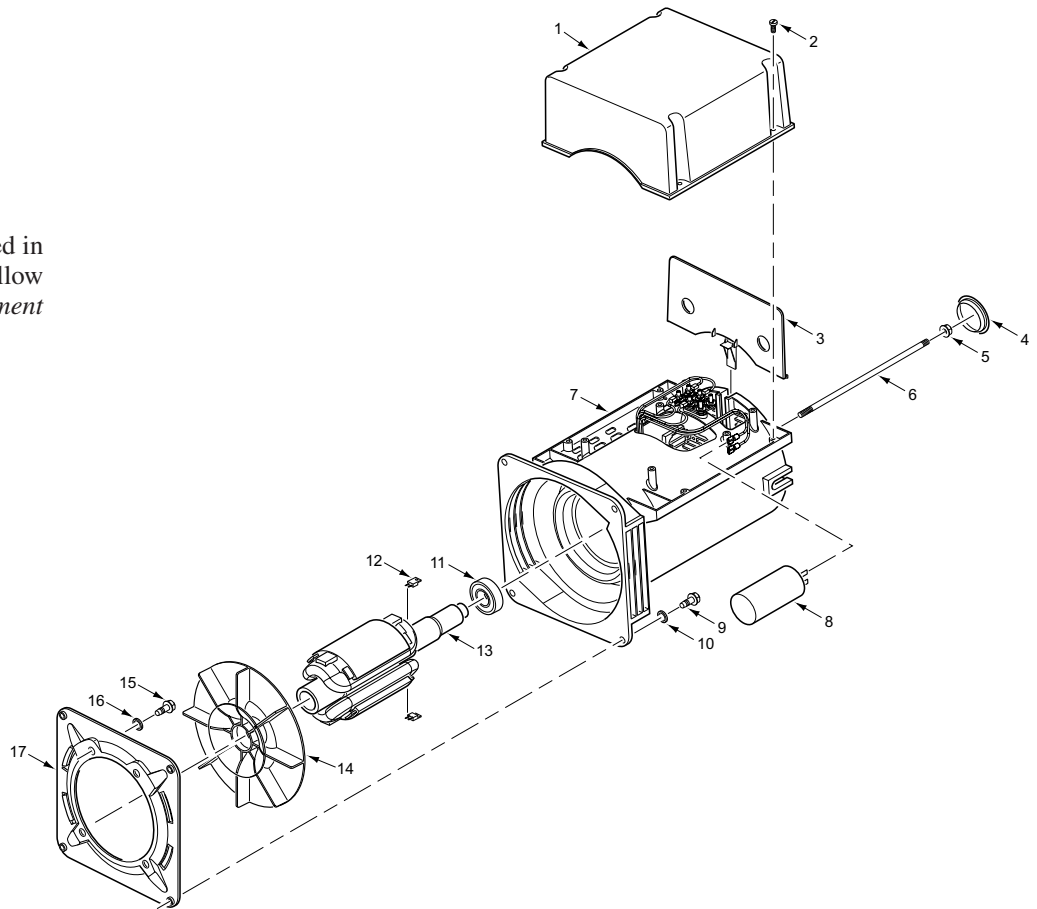
MASTER

PORTABLE GASOLINE GENERATORS

ILLUSTRATED PARTS LIST

For Models MGH8500AIE
and MGH10000C Alternator
Assembly

This list contains replaceable parts used in your generator. When ordering parts, follow the instructions listed under *Replacement Parts* on page 25 of this manual.



KEY NO.	PART NUMBER		DESCRIPTION	QTY.
	MGH8500AIE	MGH10000C		
	114285-03	114285-03	Alternator Assembly	1
1	115243-01	115243-01	Top Cover, Alternator	1
2	M10908-27	M10908-27	Screw, 10-32 x 1/2"	4
3	115244-01	115244-01	End Cover, Alternator	1
4	115247-01	115247-01	End Cap, Shaft	1
5	115246-01	115246-01	Flange Nut, 8mm	1
6	115245-02	115245-02	Draw Bolt, Alternator	1
7	*	*	Stator, Alternator	1
8	115255-02	115255-03	Capacitor	1
9	115308-01	115308-01	Hex Head Taptite, 8mm Screw	4
10	WLE-5	WLE-5	Lock Washer, 5/16"	4
11	115315-01	115315-01	Bearing	1
12	115316-01	115316-01	Diode	2
13	*	*	Rotor, Alternator	1
14	115317-01	115317-01	Fan	1
15	**	**	Bolt, 3/8"-16 x 5/8"	4
16	**	**	Lock Washer, 3/8"	4
17	115242-01	115242-01	Flange, Alternator	1

* Part not available by itself. Must purchase Alternator Assembly.

** Available at any hardware store.

OWNER'S MANUAL

REPLACEMENT PARTS AND ACCESSORIES

For original replacement parts and accessories, contact your nearest Authorized Dealer or Authorized Service Center for this product. If they can not supply the part or accessory, contact your nearest Parts Central listed below. Each Authorized Dealer, Authorized Service Center, and Parts Central is independently owned and operated.

See pages 18 through 24 for an Illustrated Parts List.

If you need additional referral information, contact our Technical Service Department (see *Technical Service*, page 15).

In Canada call 1-800-561-3372 for parts information.

Heavy-Duty Wheel Kit – PA2022 (MGH8500AIE Only)

Wheelbarrow-style wheel kit. Makes generator easy for one person to move.

This kit includes:

- Large 12-inch wheels for easy rolling
- Powder coated tubing and plated hardware for long life
- Long handles with thick grips for greater comfort and control

Complete installation instructions included.

REPAIR SERVICE

Note: Only use original replacement parts. This will protect your warranty coverage for parts replaced under warranty.

Each Authorized Service Center is independently owned and operated.

For additional Service Center or warranty information, call 1-800-858-8501 or visit our Technical Service web site at www.desatech.com.

WARRANTY SERVICE

If product requires warranty service, return it to nearest Authorized Service Center. You must show proof of purchase. If faulty materials or workmanship caused damage, we will repair or replace product without charge. *Note:* Normal wear, misuse, abuse, neglect, or accidental damage is not covered under warranty.

NON-WARRANTY SERVICE

If product requires service, return it to nearest Authorized Service Center. Repairs will be billed to you at regular repair list prices.

PARTS CENTRALS

These Parts Centrals are privately owned businesses. They have agreed to support our customer's needs by providing original replacement parts and accessories.

Tool & Equipment

5 Manila Drive
Hamden, CT 06514-0322
203-248-7553
1-800-397-7553

Grainger Parts Operations

1657 Shermer Road
Northbrook, IL 60062-5362
708-498-5900
1-800-323-0620
www.grainger.com

Portable Heater Parts

342 North County Road 400 East
Valparaiso, IN 46383-9704
219-462-7441
1-800-362-6951
www.portableheaterparts.com
sales@portableheaterparts.com
techservice@portableheaterparts.com

FBD

1349 Adams Street
Bowling Green, KY 42103-3414
270-846-1199
1-800-654-8534
franktalk@aol.com

Master Part Distributors

1251 Mound Avenue NW
Grand Rapids, MI 49504-2672
616-791-0505
1-800-446-1446
www.masterparts.net

Bowden Electric Motor Service

1681 S. Wesleyan Blvd.
Rocky Mount, NC 27803
252-446-4203

East Coast Energy

10 East Route 36
West Long Branch, NJ 07764-1501
1-800-755-8809

Laportes

2444 N 5th Street
Hartsville, SC 29550-7704
843-332-0191

MTA Distributors

555 Hickory Hills Blvd.
Nashville, TN 37189-9244
615-299-8777
1-800-264-0225

Industrial Hardware

4109 Bainbridge Blvd.
Chesapeake, VA 23324-1403
804-543-2232
1-800-788-0008
catatem@erols.com

Mills Lawn and Garden

928 Commonwealth Place
Virginia Beach, VA 23464
757-361-9293
www.mills-parts.com

Tuco Industrial Products

5223 180th Street SW
Suite 4A-1
Lynnwood, WA 98037-4506
425-743-9533
1-800-735-1268
www.tucoheat.com

WARRANTY INFORMATION

KEEP THIS WARRANTY

Model _____
Serial No. _____
Date Purchased _____

Always specify model and serial numbers when communicating with the factory.

We reserve the right to amend these specifications at any time without notice. The only warranty applicable is our standard written warranty. We make no other warranty, expressed or implied.

FIVE-YEAR LIMITED WARRANTY GASOLINE PORTABLE GENERATORS

DESA Specialty Products™ makes no warranty with respect to the engine and engine components not of its manufacture. They are subject to warranties of their manufacturers. Honda warrants the engine. See engine owner's manual for engine warranty information.

DESA Specialty Products™ warrants each generator, excluding engine, of its manufacture, to be free from defects in material and workmanship for five years from the date of first purchase from an authorized dealer, provided that the product has been properly installed, maintained, and operated in accordance with all applicable instructions. The bill of sale or proof of purchase must be presented at the time a claim is made under this warranty.

This warranty is extended only to the original retail purchaser. This warranty covers only the parts and labor required to restore this unit to its proper operating condition. Warranty parts must be obtained through factory authorized dealers and service centers for this product. These dealers and service centers will provide original factory replacement parts. Failure to use original factory replacement parts voids this warranty.

This warranty does not apply to parts that are not in original condition because of normal wear and tear, or parts that fail or become damaged as a result of misuse, abuse, negligence, accident, lack of proper maintenance, alteration, modification, tampering, contaminated fuels, repair using improper parts, or repair by anyone other than an authorized dealer or service center. Routine maintenance is the responsibility of the owner. Travel, handling, transportation, and incidental costs associated with warranty repairs are not reimbursable under this warranty and are the responsibility of the owner.

To the full extent allowed by the law of the jurisdiction that governs the sale of the product, this express warranty excludes any and all other expressed warranties and limits the duration of any and all implied warranties, including warranties of merchantability and fitness for a particular purpose to five years from the date of first purchase, and DESA Specialty Products'™ liability is hereby limited to the purchase price of the product and DESA Specialty Products™ shall not be liable for any other damages whatsoever including indirect, incidental, or consequential damages.

Some states do not allow limitation of how long an implied warranty lasts or an exclusion or limitation of incidental or consequential damages, so the above limitation of damages may not apply to you.

This warranty provides the original purchaser with specific rights. For information regarding those rights, please consult the applicable state laws.



Bowling Green, KY 42102-9004

www.desatech.com

117846-01
REV. B
11/05